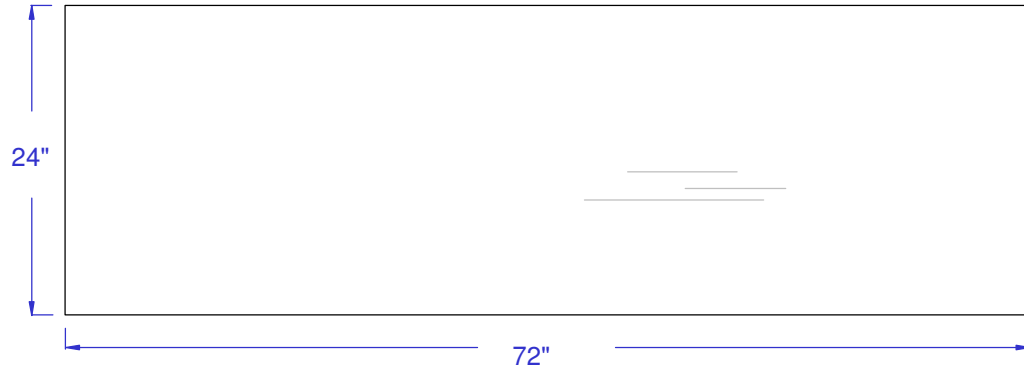
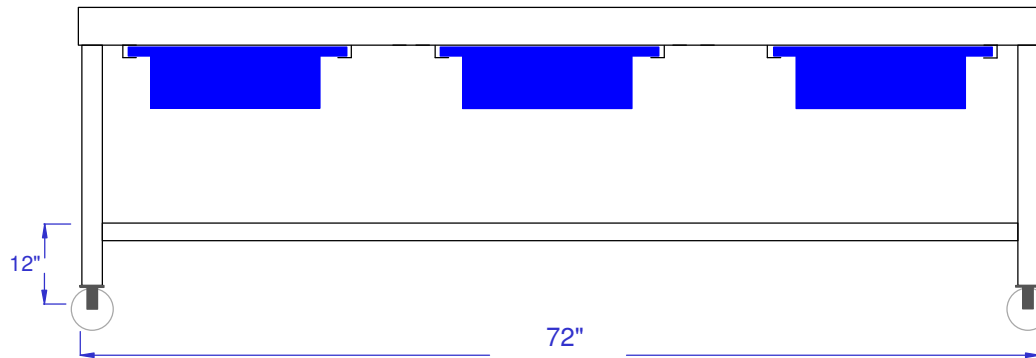


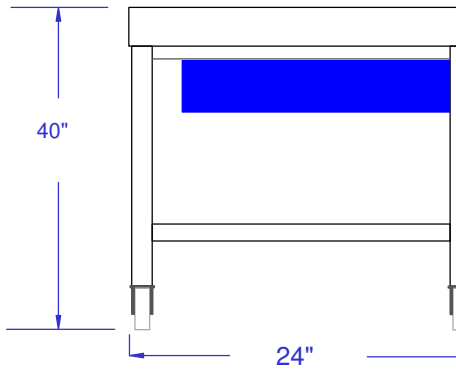
Top View



Front View



Side View



PROPRIETARY
 THIS DOCUMENT AND THE DATA DISCLOSED
 HEREIN OR HEREWITH IS NOT TO BE
 REPRODUCED, USED OR OTHERWISE DISCLOSED
 IN WHOLE OR IN PART TO ANYONE WITHOUT
 THE WRITTEN AUTHORIZATION FROM
 G2 AUTOMATED TECHNOLOGIES, LLC

A4

Approvals		Date	
Drawn By J. Lamb		11/30/10	
Approved By		GAT-TBL-SWT-247234-SS-ST	
TITLE 24"Dx72"Wx34"H Table w/SS Top Undershelf Swivel Locking Casters		Material: 16 Ga. SS 304 #3 Sheet 16 Ga. Mild Steel 1.5" Sq. Tube	
SIZE N/A	CAGE CODE	DWG NO GAT-TBL-SWT-247234-Overall	REV
SCALE Not To Scale		SHEET	